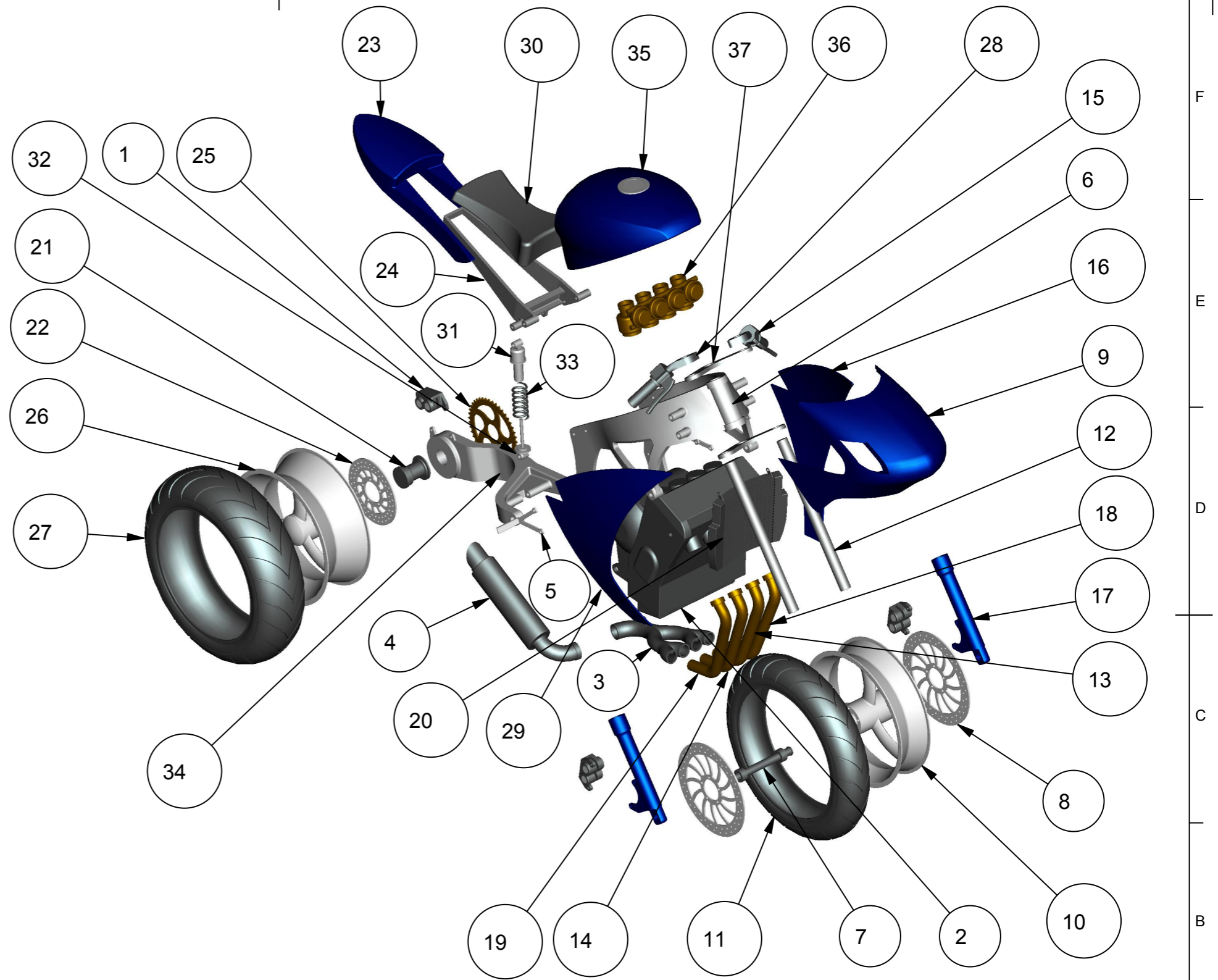


ITEM	TITLE	QTY
1	BRAKE CALIPER	3
2	ENGINE	1
3	EXHAUST BRANCH PIPE	1
4	EXHAUST PIPE	1
5	FOOTPEG	2
6	FRAME	1
7	FRONT AXLE	1
8	FRONT BRAKE DISC	2
9	FRONT COVER	1
10	FRONT RIM	1
11	FRONT TYRE	1
12	INNER FORKTUBE	2
13	INNER LEFT EXHAUST PIPE	1
14	INNER RIGHT EXHAUST PIPE	1
15	LEFT HANDLE	1
16	LEFT SIDE COVER	1
17	OUTER FORKTUBE	2
18	OUTER LEFT EXHAUST PIPE	1
19	OUTER RIGHT EXHAUST PIPE	1
20	RADIATOR	1
21	REAR AXLE	1
22	REAR BRAKE DISC	1
23	REAR COVER	1
24	REAR FRAME	1
25	REAR GEAR	1
26	REAR RIM	1
27	REAR TYRE	1
28	RIGHT HANDLE	1
29	RIGHT SIDE COVER	1
30	SEAT	1
31	SHOCK ABSORBER PART 1	1
32	SHOCK ABSORBER PART 2	1
33	SPRING	1
34	SWING ARM	1
35	TANK	1
36	THROTTLEBODY	1
37	TRIPLE CLAMP	2



		Drawn by	Date
		Checked By	Date
		Approved By	Date
<small>THIS DOCUMENT IS SUPPLIED IN CONFIDENCE. NO REPRODUCTION OF THIS DOCUMENT IN PART OR IN WHOLE OR THEREON OF THE ITEMS SHOWN MAY BE MADE WITHOUT THE COPYRIGHT OWNERS WRITTEN PERMISSION.</small>		Scale 0,070	Sheet 1 of 1
<small>UNLESS OTHERWISE SPECIFIED ALL DIMENSIONS ARE IN millimetres. TOLERANCES ARE +/- 0.1mm +/- 1°</small> <b>DO NOT SCALE</b>	TITLE		
	PROJECT	DRAWING NUMBER	ISSUE
		<b>ASSEMBLY</b>	